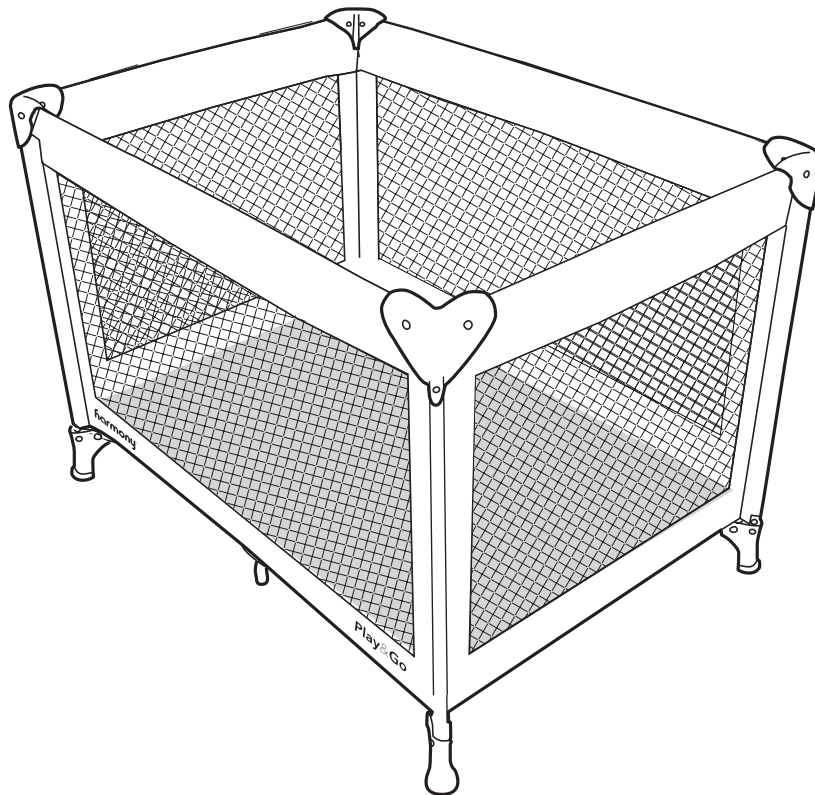


# harmony<sup>®</sup>

**IMPORTANT, RETAIN FOR FUTURE REFERENCE:  
READ CAREFULLY**

## **Play&Go<sup>™</sup>** **ESSENTIALS**

Travel Cot



### **INSTRUCTION MANUAL**



**IF YOU HAVE ANY PROBLEMS, PLEASE DO NOT  
RETURN THIS PRODUCT TO THE PLACE OF PURCHASE.  
PLEASE CONTACT HARMONY CUSTOMER SERVICE AT  
+44 (0) 1704 549881 OR AT [WWW.HARMONYJUVENILE.COM](http://WWW.HARMONYJUVENILE.COM)**

## Play&Go™ ESSENTIALS Travel Cot



Read all instructions **BEFORE** assembly and use of product. **KEEP INSTRUCTIONS FOR FUTURE USE.** Do not use this product until you read and understand the instructions in this manual.

**! ADULT ASSEMBLY REQUIRED.**

### **⚠ WARNING!**

**FOR YOUR CHILD'S SAFETY, FOLLOW ALL LABELS ON THIS PRODUCT AND IN THESE WRITTEN INSTRUCTIONS. DO NOT INSTALL OR USE THIS PRODUCT UNTIL YOU READ AND UNDERSTAND THE WARNINGS AND INSTRUCTIONS. FAILURE TO FOLLOW THESE WARNINGS AND THE INSTRUCTIONS COULD RESULT IN SERIOUS INJURY OR DEATH.**

- ! NEVER** use this product if it is broken, if there are any loose or missing fasteners, loose joints, broken parts, or torn mesh/fabric. Check before assembly and periodically during use. Contact Harmony Juvenile Products at +44 (0) 1704 549881 or [www.harmonyjuvenile.com](http://www.harmonyjuvenile.com) for replacement parts and instructions if needed.
- ! NEVER** substitute parts.

### **⚠ WARNING!**

**FAILURE TO FOLLOW THESE WARNINGS, THE LABELS AND THE INSTRUCTIONS COULD RESULT IN SERIOUS INJURY OR DEATH.**

## TRAVEL COT WARNINGS

### **⚠ WARNING!**

- ! Be aware** of the risk of open fire and other sources of strong heat, such as electric bar fires, gas fires, etc. in the near vicinity of the cot.
- ! DO NOT** use the cot if any part is broken, torn or missing and use only spare parts approved by the manufacturer.

- ! DO NOT** leave anything in the cot or place the cot close to another product, which could provide a foothold or present a danger of suffocation or strangulation, e.g. strings, blind/curtain cords, etc.
- ! DO NOT** use more than one mattress in the cot.
- ! Cot is ready for use, only when the locking mechanisms are engaged and to check carefully that they are fully engaged before using the folding cot.**
- ! The product, including side rails, must be fully erected prior to use.**
- ! All assembly fittings should ALWAYS be tightened properly and that fittings should be checked regularly and retightened as necessary.**
- ! Make sure all latches are secure.**
- ! To prevent injury from falls that when the child is able to climb out of the cot, the cot shall no longer be used for that child.**
- ! ONLY** use the mattress sold with this cot, do not add a second mattress on this one, suffocation hazards.
- ! NEVER LEAVE** child in product with **SIDE LOWERED.** Be sure side is in raised and locked position whenever child is in product.
- ! Discontinue use of the product when child is able to climb out or weighs more than 15 kg (whichever is first).**
- ! Child can become entrapped and die when improvised netting or covers are placed on top of product. NEVER add such items to confine child in product.**
- ! Use ONLY** mattress/pad provided by manufacturer.
- ! ALWAYS** provide the supervision necessary for the continued safety of your child. When used for playing, **NEVER** leave child unattended. Child **MUST** be under supervision at all times.
- ! To reduce the risk of SIDS (sudden infant death syndrome), pediatricians recommend healthy infants be placed on their back to sleep, unless otherwise advised by your physician.**
- ! NEVER** use a water mattress with this product.
- ! NEVER** refinish this product.

## GENERAL WARNINGS

- ! This product is intended for playing. When used for playing, NEVER** leave child unattended. If your

child falls asleep in the cot, it is imperative that you **ALWAYS** provide the supervision necessary for the continued safety of your child. Child **MUST** be under supervision at all times.

- ! **DO NOT** use this product in any way other than it was intended or described in the warnings, labels and instructions.
- ! **NEVER** carry or move the cot with child in it.
- ! **AVOID SERIOUS INJURY** by keeping fingers clear of rail joints, top corners, and from any moving parts when assembling/adjusting the product to prevent pinching and/or finger entrapment.
- ! **ENSURE** that the cot is fully erected before each use. Check that:
  - Four (4) top rails are completely **LOCKED** by pushing down on them;
  - The center of the floor is completely **PUSHED DOWN**;
  - The mattress is lying flat and is secured with all four (4) hook-and-loop straps.
- ! **NEVER** use the cot on uneven or unsafe surfaces.
- ! **NEVER** use near stoves, heaters or other heat sources.
- ! **ALWAYS** keep the cot away from hazards that may injure your child.
- ! **DO NOT** change, tamper with or modify any part of this product.
- ! **DO NOT** use this product if it is damaged in any way or has missing parts.
- ! **DO NOT** allow children to climb into or out of the cot, or to hang onto the outside of the cot to avoid tipping the product.
- ! **NEVER** hang anything other than accessories that come with this product on this cot as it could cause the product to become unstable.
- ! Extended exposure to weather could affect colour.
- ! **DO NOT, EXCEPT AS DESCRIBED IN THESE INSTRUCTIONS, MODIFY THIS PRODUCT OR DISASSEMBLE ANY PART.** This includes adding any parts or accessories by other manufacturers as non-tested accessories can affect the safety of the product.
- ! This product is **NOT** intended for commercial use.

## SUFFOCATION WARNINGS

### **WARNING!**

**NEVER LEAVE INFANT IN PRODUCT WITH SIDES DOWN. Infant may roll into space between pad and loose mesh side causing suffocation.**

### **WARNING!**

**ONLY** use the mattress sold with this cot, **DO NOT** add a second mattress on this one, suffocation hazards.

### **WARNING!**

#### **INFANTS CAN SUFFOCATE**

- **In gaps between a mattress too small or too thick and product sides**
  - **On soft bedding**
- NEVER** add a mattress, pillow, comforter, or padding. Use only the mattress/pad provided by manufacturer.

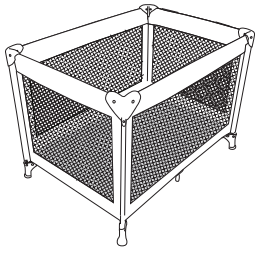
- ! **Strings and cords can cause strangulation! NEVER** place items with a string around a child's neck such as hood strings or pacifier cords. **NEVER** suspend strings over product or attach strings to toys. Keep strings and cords away from child.
- ! **NEVER** place product near a window where cords from blinds or drapes can strangle a child.
- ! **NEVER** place the cot in any location where there are cords within the child's reach, such as telephone cords, window blind cords, monitor cords, etc. as they can strangle a child.
- ! **NEVER** use plastic shipping bags or other plastic film as mattress covers not sold and intended for that purpose. They can cause suffocation.
- ! **Small children and pets can force themselves into very small openings.**
- ! **NEVER** tie/add anything to/in the cot (i.e. accessories, toys, monitors, etc.) as this may cause serious injury or death.

## CERTIFICATIONS

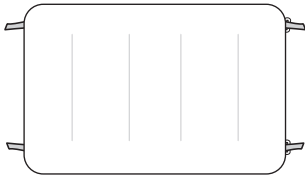
Harmony Juvenile Products certifies the compliance of this product to the standards of BS EN 716-1:2017 - Furniture. Children's cots and folding cots for domestic use. Safety requirements.

Harmony Juvenile Products has also validated compliance through independent laboratory testing.

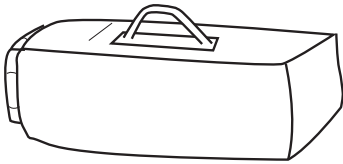
## PARTS LIST



Travel Cot



Mattress



Carry bag



PLEASE CHECK TO BE SURE YOU HAVE ALL THE PARTS SHOWN BEFORE BEGINNING ASSEMBLY. IF YOU ARE MISSING ANY PARTS, PLEASE **DO NOT** RETURN THIS PRODUCT TO THE STORE.

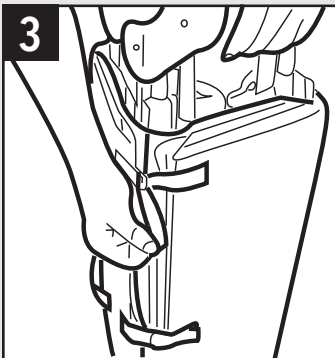
PLEASE CALL OUR CUSTOMER SERVICE DEPARTMENT AT +44 (0) 1704 549881 OR CONTACT US AT [CUSTOMERSERVICE@HARMONYJUVENILE.COM](mailto:CUSTOMERSERVICE@HARMONYJUVENILE.COM).

## TRAVEL COT SETUP

1. Remove all contents from packaging, and discard box and polybags.
2. The cot comes packed within the carry bag and wrapped within the mattress:
  - Remove travel cot/mattress assembly.

### TO OPEN:

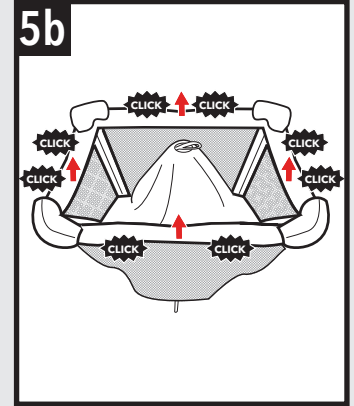
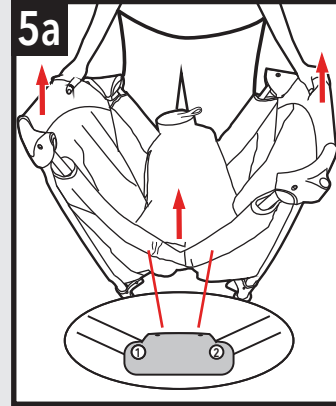
3. Open two (2) hook-and-loop straps securing the mattress.



4. Stand cot on feet with the **CENTER UP**. Do **NOT** push center locking mechanism down yet.

**!** ALL FOUR RAILS MUST BE SECURELY LOCKED AND RIGID **BEFORE** CENTER LOCKING MECHANISM IS PUSHED DOWN.

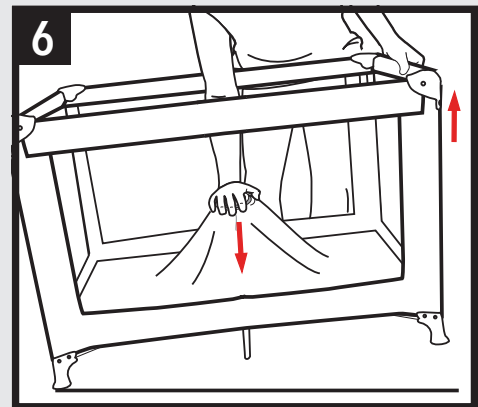
5. Each railing has **TWO (2)** locks as shown. Both locks on each railing **MUST** 'click' and lock for the cot to be secure:
  - Grasp railing firmly and lift upwards. You will hear **TWO (2)** 'clicks'.
  - Repeat on all four (4) rails.



## **!** WARNING!

**NEVER LEAVE CHILD IN PRODUCT WITH SIDE LOWERED.** Be sure side is in raised and locked position whenever child is in product.

6. Slightly lift one end of the cot and push center locking mechanism down.

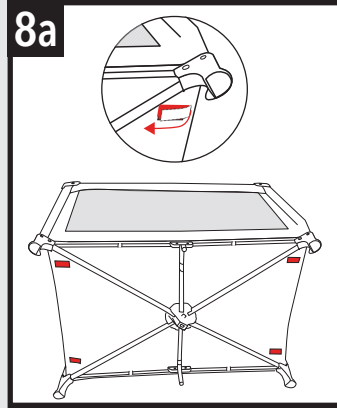
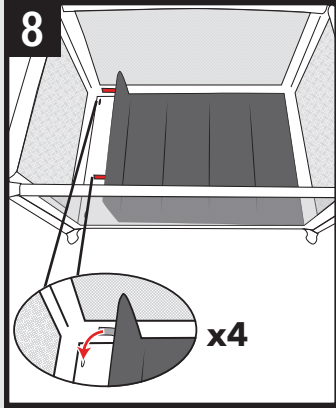


**!** **ENSURE** all railings are securely locked by pushing down on each rail. If rail is not locked, re-lift center locking mechanism and pull up again until rail 'clicks' into its locked position. If rails do not lock, lift the center locking mechanism **HIGHER**.

7. Place mattress into cot **ENSURING** padded side up (hard side downward).

8. Secure mattress to cot by inserting all four (4) hook-and-loop straps through the corresponding holes in the cot floor, and securely adhering underneath as shown.

a. Pull upwards on mattress to ensure it is securely fastened in place.

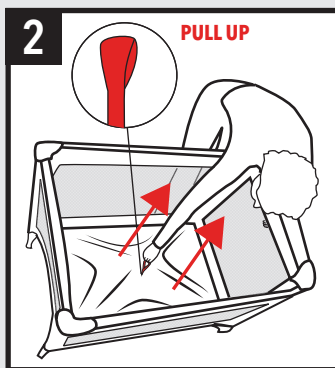


## ⚠ WARNING!

Infants can suffocate in gaps between the mattress. ENSURE that the mattress is securely fastened in place. Lift mattress to ensure it is securely attached.

### TO FOLD:

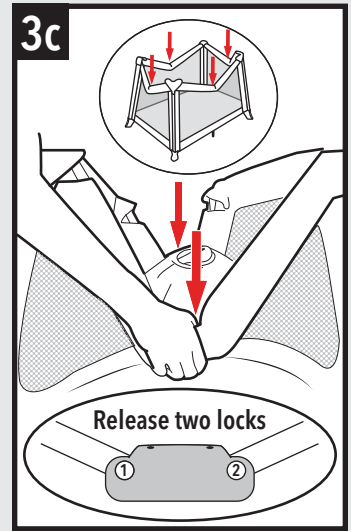
1. Release four (4) hook-and-loop straps attaching the mattress to the cot, and remove mattress.
2. Identify the fabric strap on the center locking mechanism on the floor of the cot. Pull upwards to the height of the rails.



**NOTE:** Rails will **NOT** unlock until center floor locking mechanism is pulled up.

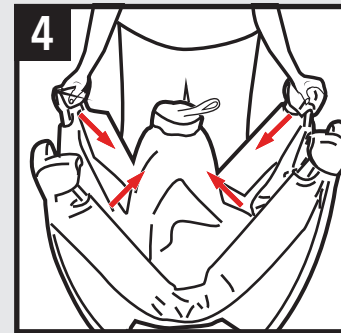
3. To unlock each rail:

- a. Place hand over the center of each rail's locking mechanism.
- b. While grasping the rail, **LIFT** slightly and **SQUEEZE** the unlocking mechanism to unlock. Then push down while squeezing the mechanism.
- c. **BOTH** sides of each rail's locking mechanism must be released/unlocked for the rail to fold downwards.

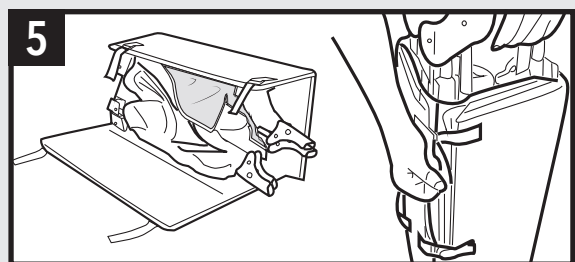


**!** IF TOP RAILS DO NOT UNLOCK, DO NOT FORCE THEM DOWNWARDS. RETURN RAIL BACK TO LOCKED POSITION AND REPEAT STEPS. IF YOU CONTINUE TO HAVE TROUBLE, LIFT CENTER LOCKING MECHANISM HIGHER.

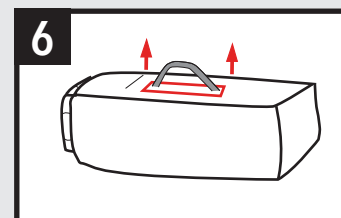
4. Move railings towards center.



5. Wrap mattress around cot and fasten hook-and-loop straps to secure - as shown.



6. Insert mattress/cot assembly into carry bag making sure to align carry handle as shown.



## CARE AND MAINTENANCE

- From time to time, check your cot for worn parts, torn material or stitching. Replace or repair the parts as needed.
- If cot is used at the beach, you **MUST** clean sand off your cot, including the feet, before packing it into carry bag. Sand may damage top rail lock.
- The cot and mattress are surface wash only. Use only household soap or detergent and warm water. To wash carry bag, machine wash in warm water on delicate cycle and drip-dry. **DO NOT USE BLEACH.**

## WARRANTY

This product was manufactured by **Harmony Juvenile Products®** (HJP). HJP warrants this product to the original retail purchaser as follows:

### LIMITED 1-YEAR WARRANTY

This product is warranted against defective materials and workmanship for one year from the date of original purchase. An original receipt is required to validate your warranty. HJP will, at its option, provide replacement parts for this product or replace this product. HJP reserves the right to discontinue or change fabrics, parts, models or products, or to make substitutions.

To make a claim under this warranty, you must contact HJP Customer Service at [www.harmonyjuvenile.com](http://www.harmonyjuvenile.com), or call +44 (0) 1704 549881, or write to 10 Beach Priory Gdns., Southport, UK, PR8 1RT.

Proof of purchase is required and shipping charges are the responsibility of the consumer.

### WARRANTY LIMITATIONS

This warranty does not include damages which arise from negligence, misuse, or use not in accordance with this instruction manual.

### LIMITATIONS OF DAMAGES

The warranty and remedies as set forth above are exclusive and in lieu of all others, oral or written, expressed or implied. In no event will HJP or the retailer selling this product be liable to you for any damages, including incidental or consequential damages, or loss of use arising out of the use or inability to use this product.

**PLEASE REGISTER THIS PRODUCT WITHIN 30 DAYS OF PURCHASE TO EXPEDITE WARRANTY CLAIMS AND TO VERIFY ORIGINAL DATE OF PURCHASE.**

harmony®

To order other products, please visit our website [www.harmonyjuvenile.com](http://www.harmonyjuvenile.com). Stay informed, ask questions, connect, follow, have a conversation and post photos and videos with us through the Social media channel you use:

🐦 Twitter @harmonyjuvenile

f [www.facebook.com/HarmonyJuvenileProducts](https://www.facebook.com/HarmonyJuvenileProducts)

in [www.linkedin.com/company/harmony-juvenile-products](https://www.linkedin.com/company/harmony-juvenile-products)

If you have an issue that requires action, please call Customer Service at +44 (0) 1704 549881, or email [customerservice@harmonyjuvenile.com](mailto:customerservice@harmonyjuvenile.com).