

harmony[®]

GENESYS DELUXE i-SIZE CAR SEAT INSTRUCTION MANUAL



This child restraint complies with ECE regulations for use by children:

- Height: 76 to 150 cm

from 76 to 105 cm / ≤ 24 kg (i-Size seat)

from 100 to 150 cm (i-Size booster seat)

For children 15 months to approx. 12 years

READ THIS MANUAL

Do not install or use this child restraint until you read and understand the instructions in this manual and in your vehicle owner's manual.

FAILURE TO PROPERLY USE THIS CHILD RESTRAINT INCREASES THE RISK OF SERIOUS INJURY OR DEATH IN A SHARP TURN, SUDDEN STOP OR CRASH.



IF YOU HAVE ANY PROBLEMS, PLEASE DO NOT RETURN THIS PRODUCT TO THE PLACE OF PURCHASE. PLEASE CONTACT CUSTOMER SERVICE AT WWW.HARMONYJUVENILE.COM

REGISTRATION INFORMATION

REGISTER YOUR CHILD RESTRAINT TODAY! Child restraints could be recalled for safety reasons. You must register this restraint to be reached in a recall, and to be eligible to receive replacement parts while under warranty.

The model number, serial number and manufacturing date can be found on a label on the underside of the child restraint.

Visit www.harmonyjuvenile.com/uk/register to register your child restraint online, mail-in the registration card or send your name, address, the restraint's model number, manufacturing date and date of purchase to:

**Harmony Juvenile Products UK
10 Beach Priory Gdns.
Southport, UK
PR8 1RT**

For recall information, any questions you may have, or to make a change of address or contact information, please visit us online at www.harmonyjuvenile.com.

PLEASE DO NOT SEND IN YOUR REGISTRATION CARD IF YOU HAVE REGISTERED YOUR RESTRAINT ONLINE.

IF YOU NEED HELP

Please fill in the information below for future reference. The model number and manufacturing date can be found on a label on the underside of the child restraint.

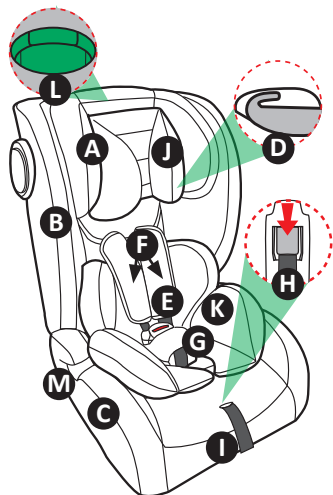
Model Number: _____

Manufacture Date: _____

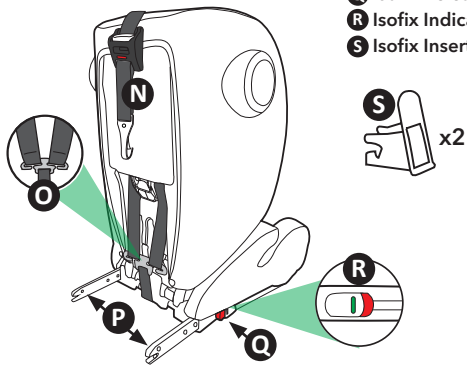
Date of Purchase: _____

Our Customer Service Department is standing by to help you with any questions or concerns you may have regarding installation, use, care and/or parts. Please have your product's model number and manufacturing date available when contacting us.

PARTS LIST



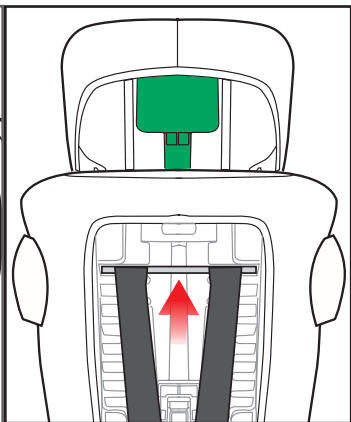
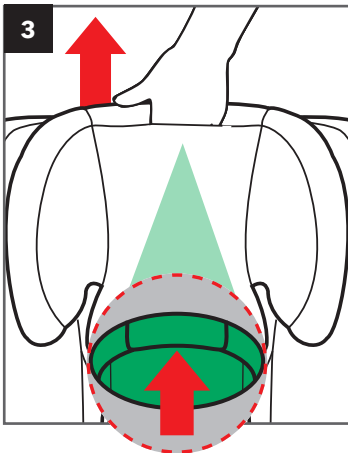
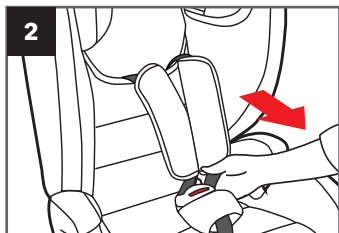
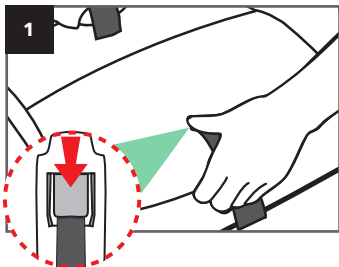
- A** Headrest Fabric Cover (pre-installed)
- B** Backrest Fabric Cover (pre-installed)
- C** Base Fabric Cover (pre-installed)
- D** Shoulder belt guides
- E** Harness Straps, Buckle and Clips
- F** Shoulder Pads
- G** Crotch Strap and Pad
- H** Harness Metal Adjustment Button
(above strap, under fabric)
- I** Up-front Harness Adjustment Strap
- J** Infant Head Insert Cushion
- K** Infant Body Insert Cushion
- L** 1-Hand Headrest Height Adjustment
Handle (under fabric)
- M** Lap Belt Guides
- N** Top Tether Strap, Adjuster and Hook
- O** Harness Splitter Plate
- P** Isofix Connectors
- Q** Isofix Release Button (x2)
- R** Isofix Indicator (x2)
- S** Isofix Insert Guides (x2)



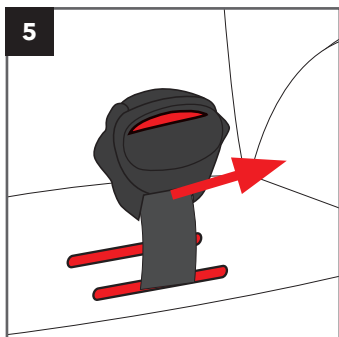
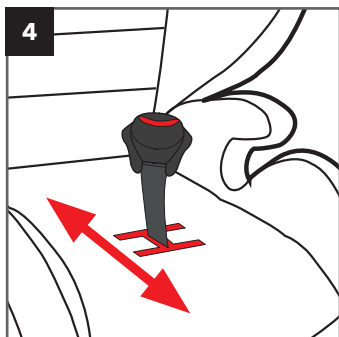
TO PURCHASE REPLACEMENT PARTS:

In the United Kingdom, please contact us at
www.harmonyjuvenile.com.

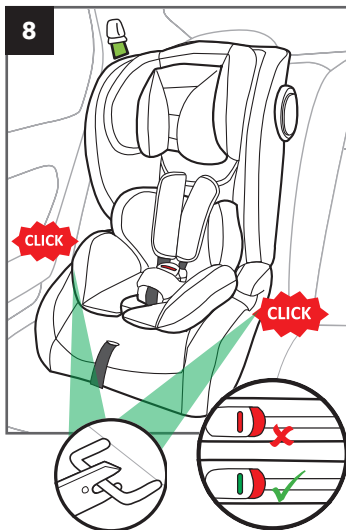
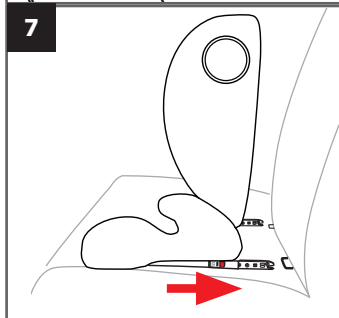
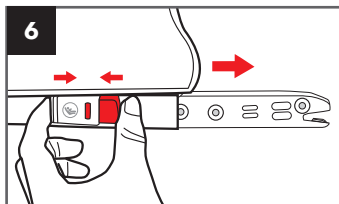
PREPARING CHILD RESTRAINT FOR USE

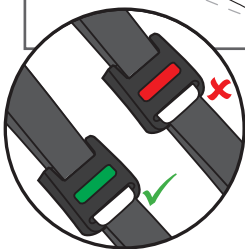
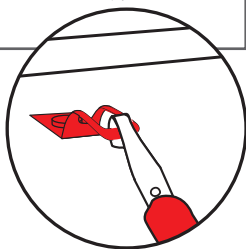
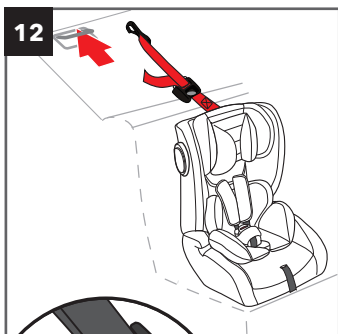
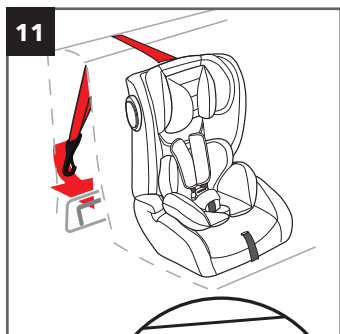
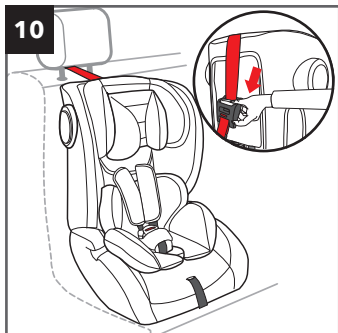
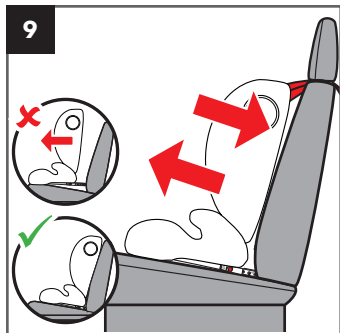


ADJUSTING CROTCH STRAP POSITION

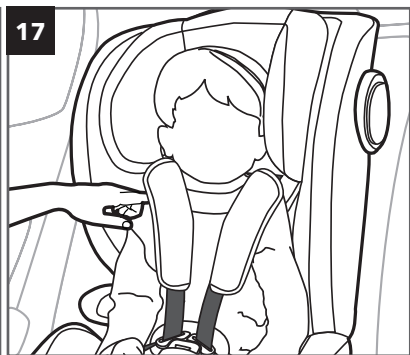
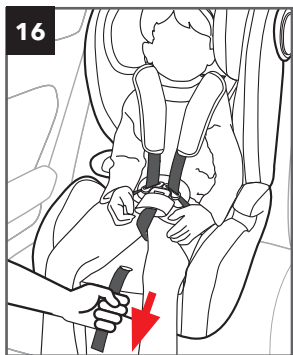
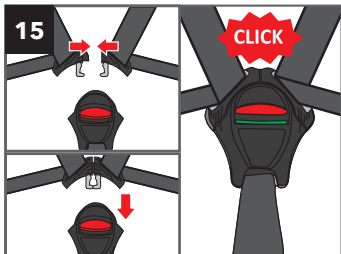
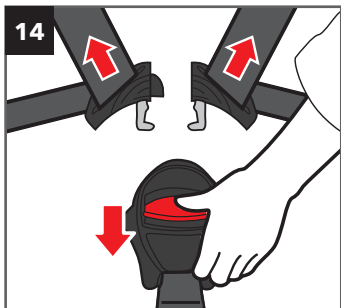
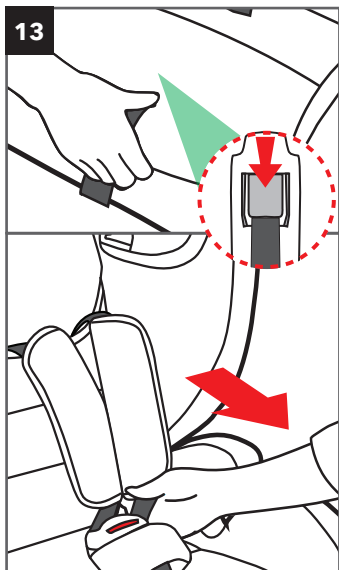


INSTALLING WITH ISOFIX SYSTEM & TOP TETHER i-SIZE SEAT (76 TO 105 CM / ≤24 KG)

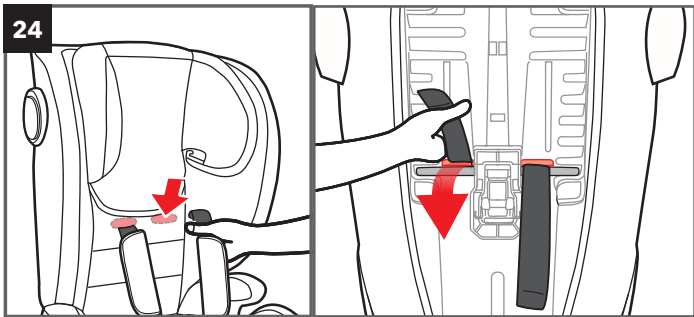
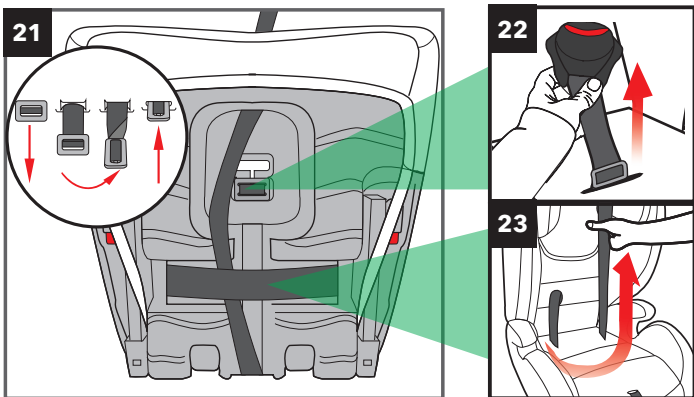
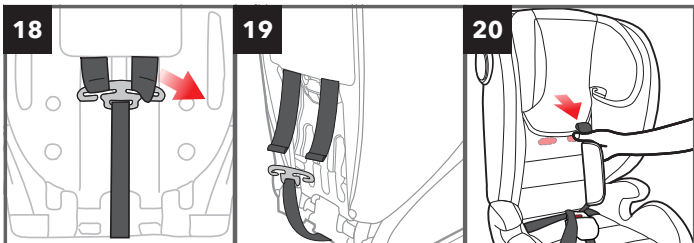




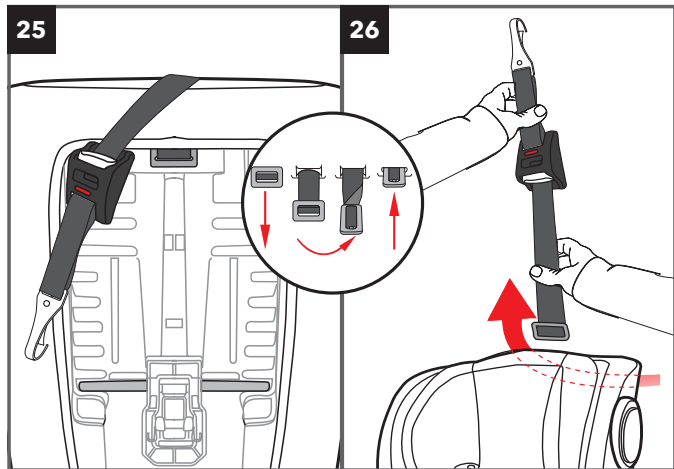
USING CHILD RESTRAINT WITH BUILT-IN HARNESS



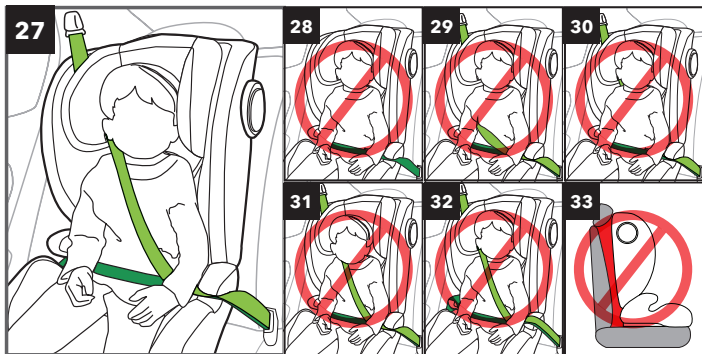
REMOVING/INSTALLING HARNESS



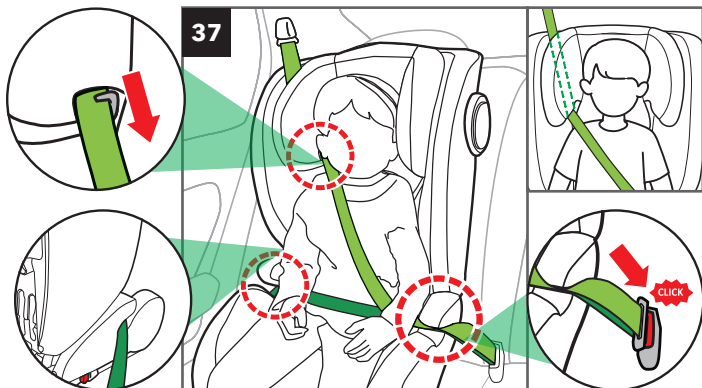
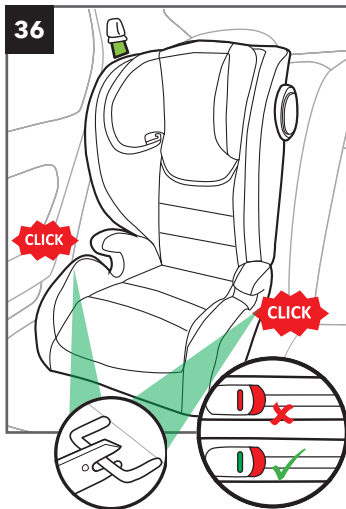
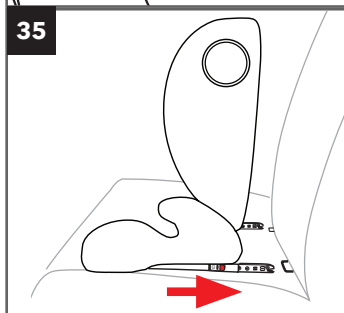
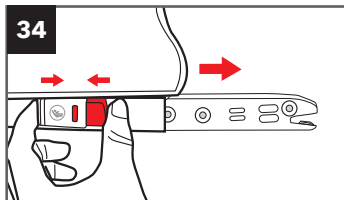
REMOVING TOP TETHER



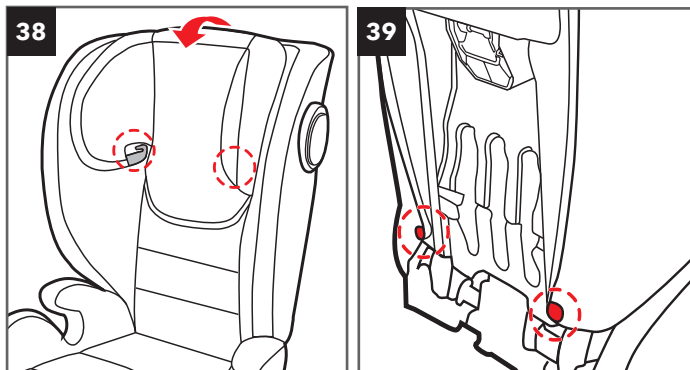
SECURING CHILD AND BOOSTER SEAT IN VEHICLE



INSTALLING WITH ISOFIX SYSTEM & VEHICLE SEAT BELT i-SIZE BOOSTER SEAT (100 TO 150 CM)



REMOVING/INSTALLING FABRIC SEAT COVER



CERTIFICATIONS

With harness: This is an i-Size Enhanced Child Restraint System. It is approved according to UN Regulation No 129, for use in, i-Size compatible vehicle seating positions as indicated by vehicle manufacturers in the vehicle users' manual.

Without harness: This is a i-Size booster seat Enhanced Child Restraint System. It is approved according to UN Regulation No 129, for use primarily in "i-Size seating positions" as indicated by vehicle manufacturers in the vehicle user's manual.

If in doubt, consult either the Enhanced Child Restraint System manufacturer or the retailer.

! Only suitable for use in the listed vehicles fitted with 3-point with retractor safety-belts.

The Enhanced Child Restraint **IS CERTIFIED** for use in the following classes of vehicles **ONLY**: multi-purpose passenger vehicles, passenger cars, and trucks. Harmony Juvenile Products has also validated compliance through independent laboratory testing.

This restraint is **NOT CERTIFIED** for aircraft use.

This child restraint must **NOT** be used in homes, boats, buses, motorcycles, motor homes, or any other vehicles that have non-forward-facing seats, missing seat belts, or whose seat belts do not meet the requirements of this child restraint.

IMPORTANT - DO NOT USE BEFORE THE CHILD'S AGE EXCEEDS 15 MONTHS.

PREPARING CHILD RESTRAINT FOR USE

WARNING!

INCORRECT USE OF THE HARNESS SYSTEM IS THE MOST COMMON MISTAKE PEOPLE MAKE. IT IS VERY IMPORTANT TO READ, UNDERSTAND AND FOLLOW ALL INSTRUCTIONS AND WARNINGS. DO NOT MISTAKE COMFORT FOR SAFETY. THE HARNESS SYSTEM MUST BE SNUGLY ADJUSTED AT ALL TIMES.

ADJUSTING HEADREST AND HARNESS SHOULDER STRAPS

! ENSURE the harness height is correct for your child's size. **VERIFY OFTEN.**

1. Loosen harness system by pushing the up-front metal harness adjuster at the front of the seat just above the adjustment strap **(UNDER THE FABRIC) (1)** and by simultaneously pulling the chest straps towards you **(2)**.
2. To determine what harness height is appropriate for your child, place your child in the child restraint with their back flat against the backrest.
3. Reach into the opening on the top of the headrest fabric cover and find the **GREEN** headrest height adjustment handle **(3)**. The child restraint has **EIGHT** headrest height adjustments.
4. Press handle and raise/lower headrest until the harness is **EVEN WITH OR SLIGHTLY ABOVE** the top of the child's shoulders.
5. Release the handle and listen for a 'click' to make sure harness is locked in place.

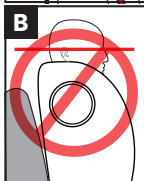
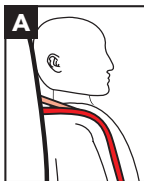
! WARNING: To ensure headrest is locked in position, gently push down on headrest.

! WARNING: The shoulder harness must be **EVEN WITH OR SLIGHTLY ABOVE** the child's shoulders **(A)**. If the upper most harness position is below the child's shoulders, **DO NOT** use this child restraint.

! WARNING: DO NOT use this child restraint if the midpoint of your child's head is above the top of the child restraint **(B)**.

REMEMBER to check the harness straps position frequently and move them to the next position when necessary.

The shoulder pads and crotch pads are optional and are not a safety feature.



ADJUSTING CROTCH STRAP POSITION

The crotch strap has two (2) positions.

1. Remove fabric crotch pad.
2. Push the buckle down through the fabric seat cover towards the plastic base of the child restraint.
3. Lift the fabric seat cover on the base of the child restraint to expose the buckle and slot positions.
4. Guide the crotch strap through the plastic base to the desired slot position **(4)**.

! ENSURE that the strap is **COMPLETELY** in the desired slot and the harness strap is **NOT** twisted. Gently pull upwards to ensure it is firmly in place.

! ENSURE that the buckle is facing **FORWARD (5)**.

5. Push the buckle upwards through the fabric seat cover.
6. Replace fabric seat cover and fabric crotch pad.



WARNING!

FAILURE TO REINSTALL THE CROTCH STRAP CORRECTLY COULD RESULT IN SERIOUS INJURY OR DEATH.

INSTALLING CHILD RESTRAINT IN HARNESS MODE: ISOFIX AND TOP TETHER

Isofix is used for installing the child restraint **IN CONJUNCTION WITH** the use of the Top Tether.

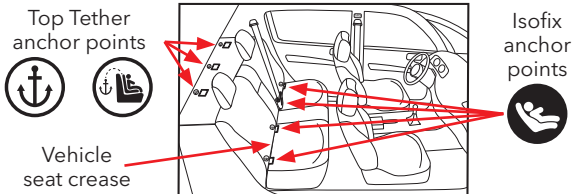
! Isofix connectors can **ONLY** be used if your vehicle has the Isofix anchors installed and designated Isofix seating positions. Check your vehicle owner's manual to see which seating positions may be suitable with Isofix.

ISOFIX

If your vehicle is equipped with Isofix anchors, the vehicle Isofix anchorage points may be visible at the seat crease. If not visible, they may be marked with this symbol.



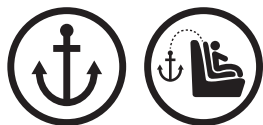
Check your vehicle owner's manual for your vehicle's exact Isofix locations, anchor identifications and usage requirements for use with a child restraint.



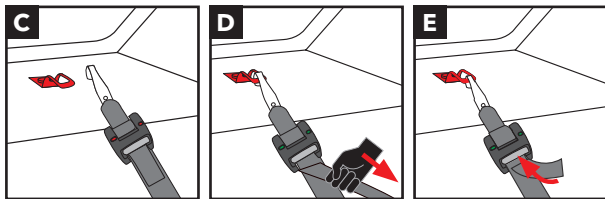
! WARNING: CONSULT YOUR VEHICLE OWNER'S MANUAL FOR THE EXACT PLACEMENT OF THESE ELEMENTS IN YOUR VEHICLE, AND FOR MAXIMUM ISOFIX WEIGHT ALLOWANCES PRIOR TO INSTALLATION AS SOME MANUFACTURERS HAVE LOWER MAXIMUM WEIGHT ALLOWANCES FOR ISOFIX USAGE.

USING TOP TETHER

Your vehicle's Top Tether Anchor Points may be identified using one of these symbols:



- Check that the Top Tether is securely attached to the child restraint.
- Fasten Top Tether clip to anchor point ensuring the clip is facing downwards and the strap is not twisted **(C)**.
- With the child restraint installed with the Isofix, tighten the Top Tether strap securely by pulling on the free end of the Top Tether strap **(D)**.
- To loosen, press the Top Tether release button **(E)**.



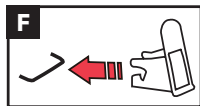
! WARNING: Ensure that Top Tether strap is **NOT** twisted.

INSTALLING WITH ISOFIX SYSTEM & TOP TETHER

i-SIZE SEAT (76 TO 105 CM / ≤24 KG)

1. Install Isofix insert guides **(F)** (x2):

With the guides facing upwards, push plastic casing into the Isofix anchors.

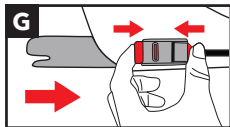


2. Identify the Isofix connectors located at the rear of the seat base.
3. Press the Isofix Release Buttons on each Isofix connector to release and fully extend the two Isofix connectors for installation **(6)**.
4. Place the child restraint flush against a forward-facing vehicle seat, centered between the Isofix anchors **(7)**.
5. Locate the Isofix connectors underneath the rear of the seat backrest. Push the Isofix connectors into the Isofix anchorage points until these lock into place with an audible "click". The two Isofix indicators will switch from red to **GREEN (8)**.
6. Push the child restraint towards the backrest of the vehicle seat until it is fully aligned with the vehicle backrest.
7. Secure the top of the child restraint using the Top Tether strap **(9, 10)** by fastening the Top Tether clip to the anchor point available in your vehicle as shown **(11, 12)** (see "Using Top Tether"). The indicator window will turn **GREEN** to ensure a secure installation.

DISENGAGING ISOFIX CONNECTORS

To release the Isofix connectors:

Press the Isofix Release Buttons on each side of the Isofix connectors **(G)**.



USING CHILD RESTRAINT WITH BUILT-IN HARNESS

WARNING!

FAILURE TO FASTEN AND TIGHTEN THE HARNESS SYSTEM CORRECTLY MAY CAUSE THE CHILD TO BE EJECTED FROM THE RESTRAINT SYSTEM IN CASE OF A SHARP TURN, SUDDEN STOP OR CRASH CAUSING SERIOUS INJURY OR DEATH. In a crash, the child restraint will provide **NO** protection for your child unless the harness straps are properly secured. **DO NOT** mistake comfort for safety. Harness system **MUST** be snugly adjusted. Follow these instructions carefully.

! Incorrect use of the harness system is the most common mistake people make. It is **VERY** important to read, understand and follow **ALL** instructions and warnings. **DO NOT** mistake comfort for safety. The harness system **MUST** be snugly adjusted at all times.

! Snugly adjust the harness provided with this child restraint around your child. A snug strap is one with no slack. It should not press on the child's flesh or cause your child's body to be in an unnatural position. You should only be able to slide **ONE FINGER** between the shoulder straps and the child's shoulder **(17)**.

! Avoid unnecessary bulky clothing.

SECURING CHILD IN CHILD RESTRAINT

1. To loosen the harness strap: Push the up-front metal harness adjuster at the front of the seat just **ABOVE** the adjustment strap (**UNDER THE FABRIC**) and simultaneously pull the chest straps towards you **(13)**.

2. Unbuckle harness straps by pressing on the **RED** buckle release button and by pulling the buckle clips out **(14)**. Move harness straps to the side.

3. Place child in child restraint with child's back flat against back of the backrest.

4. Adjust headrest height (see "Adjusting headrest and harness shoulder straps").

5. Place harness straps over child's shoulders. Hold the two buckle clips together and insert the two-piece buckle clip into buckle until they 'click' into place **(15)**.

! **ENSURE** that the buckle is properly fastened by gently tugging on it and that the colour indicator has turned to **GREEN (15)**.

! **ENSURE** that the straps are **NOT** twisted.

! **DO NOT** use child restraint if harness does not lock.

6. Tighten harness system by gently pulling on the up-front harness adjuster strap until all slack is removed from the system **(16)**.

! **WARNING:** If it is difficult to tighten the harness, ensure that the up-front harness adjustment strap is **ALWAYS** aligned with the channel under the rear of the seat base and is **NOT** twisted.

! **ENSURE** straps are flat and snug against child's shoulders and thighs. You should **NOT** be able to slide more than one finger between the strap and the child's shoulder **(17)**.

A snug strap should not allow any slack. It lies in a relatively straight line without sagging. It should not press the child's flesh or cause your child's body to be in an unnatural position.

! Any straps holding the restraint to the vehicle should be tight, any straps restraining the child should be adjusted to the child's body, and all straps should not be twisted. The harness system should be properly adjusted such that any lap strap is worn low down, so that the pelvis is firmly engaged.

REMOVING CHILD FROM CHILD RESTRAINT

1. Loosen the harness system by pressing on the up-front metal harness adjuster (**UNDER THE FABRIC**), and simultaneously pulling the shoulder straps towards you.

2. Unbuckle harness by pressing on the **RED** buckle release button.

USING CHILD RESTRAINT IN BOOSTER MODE (WITHOUT BUILT-IN HARNESS)

REMOVING/INSTALLING HARNESS

IF YOUR CHILD HAS REACHED 100 CM, YOU CAN USE THE SEAT IN BOOSTER MODE.

Harmony Juvenile Products advises that your child remains in a 5-point harness for as long as possible per the height and mass requirements of the child restraint.

1. Loosen the harness system by pressing on the up-front metal harness adjuster (**UNDER THE FABRIC**), and simultaneously pulling the harness straps towards you.
 2. Unbuckle harness by pressing on the **RED** buckle release button. Remove infant insert cushions. Set aside.
- ! TIP:** You may use the seat in booster mode without having to remove the harness strap completely. Tuck each end of the harness strap under each side of the backrest fabric.
3. Face the rear of the child restraint and remove each end of the harness strap from the splitter plate (**18, 19**). Pull both ends of the harness strap out of their respective slots in the backrest (**20**).
 4. **To remove crotch strap and pad:** Lie child restraint on its side and locate the metal locking plate for the crotch strap on the underside of the child restraint seat base. Turn the metal plate so that it can slide through the opening in the base (**21**). Continue to thread the crotch strap through the seat base and completely remove it (**22**).
 5. **To completely remove the harness strap:** Slide off shoulder pads and buckle clips and set them aside. Continue to thread the harness strap through the seat base and completely remove it (**23**).
 6. Pull the up-front harness adjustment strap as far as it will go. This will lock the splitter plate into the base of the seat.
 7. Roll strap tightly, secure roll with an elastic band and store rolled strap under the fabric seat cover in the opening of the up-front adjuster.
 8. **To reinstall harness system:** Remove backrest plate and repeat these steps in reverse order. When re-inserting both ends of the harness strap through the backrest, ensure both ends are **ABOVE** the metal bar inside the slots in the backrest (**24**). Reinstall backrest plate once harness is properly reinstalled.



WARNING!

FAILURE TO REINSTALL THE HARNESS SYSTEM AND CROTCH STRAP CORRECTLY COULD RESULT IN SERIOUS INJURY OR DEATH.

WARNING!

ENSURE THAT THE BUCKLE CLIPS AND CROTCH BUCKLE ARE FACING FORWARD AND THAT THE STRAPS ARE NOT TWISTED.

REMOVING TOP TETHER

1. Remove backrest plate and locate the metal locking plate for the top tether strap on the top of the backrest. Turn the metal plate so that it can slide through the opening in the backrest **(25)**. Continue to thread the top tether strap through the backrest and completely remove it **(26)**.

PREPARING BOOSTER SEAT FOR USE

WARNING!

INCORRECT USE OF THE VEHICLE'S 3-POINT LAP-AND-SHOULDER SEAT BELT SYSTEM IS THE MOST COMMON MISTAKE PEOPLE MAKE. IT IS VERY IMPORTANT TO READ, UNDERSTAND AND FOLLOW ALL INSTRUCTIONS AND WARNINGS. DO NOT MISTAKE COMFORT FOR SAFETY. THE VEHICLE'S 3-POINT LAP-AND-SHOULDER SEAT BELT MUST BE SNUGLY ADJUSTED AT ALL TIMES.

! ENSURE the vehicle shoulder belt's position is correct for your child's size. **VERIFY OFTEN.**

! WARNING: DO NOT use this booster seat if the midpoint of your child's head is above the top of the booster seat headrest at its maximum height.



HEADREST HEIGHT ADJUSTMENT

Your booster seat has **EIGHT** height adjustments. Adjust the headrest to properly position the vehicle seat belt as the child grows.

Adjust headrest height so that the shoulder belt is **EVEN WITH OR JUST ABOVE** the top of the child's shoulders.

- Use one hand to press the headrest height adjustment handle found in the opening on the top of the headrest fabric cover while simultaneously pulling the headrest up or down to the desired height with the other hand **(3)**.

SECURING CHILD AND BOOSTER SEAT IN VEHICLE



WARNING!

FAILURE TO PROPERLY SECURE YOUR CHILD IN THE BOOSTER SEAT INCREASES THE RISK OF SERIOUS INJURY OR DEATH IN THE EVENT OF A SHARP TURN, SUDDEN STOP OR CRASH. In a crash, the booster seat provides **NO** protection for your child unless the vehicle 3-point lap-and-shoulder belt is properly secured. Follow these instructions carefully to properly secure your child.

IF YOUR CHILD HAS REACHED 100 CM, YOU CAN USE THE SEAT IN BOOSTER MODE.

! WARNING: You **MUST** use the vehicle 3-point lap-and-shoulder belt system when restraining the child in the booster seat **(27)**.

! WARNING: Vehicle belts **MUST** be tight, adjusted to the child's body, and should not be twisted **(27)**.

! NEVER use a vehicle lap-only belt to secure child in booster seat **(28)**.

! NEVER USE A LOOSE SHOULDER BELT.

! NEVER position the shoulder belt under the child's arm **(29)** or place the shoulder belt behind the child's back **(30)**.

! DO NOT allow the child to slouch, slide down in the seat, or create slack in the belt system **(31)**. If child will not keep vehicle belt properly positioned, **DO NOT** use this booster seat.

! DO NOT position vehicle belt over top of the armrests **(32)**.

! The vehicle seat headrest should not create a gap between vehicle seat and booster seat (33). If so, remove the vehicle headrest.

! DO NOT use any load bearing contact points other than those described in the instructions and marked in the child restraint.

IF IN DOUBT ABOUT THESE POINTS OR ANY QUESTIONS RELATED TO INSTALLATION, PLEASE CONTACT HARMONY JUVENILE PRODUCTS.

INSTALLING WITH ISOFIX SYSTEM & VEHICLE SEAT BELT

i-SIZE BOOSTER SEAT (100 TO 150 CM)

WARNING!

DUE TO VARYING ANGLES OF VEHICLE SEAT BELT RETRACTORS, EXCESS SLACK IN THE VEHICLE BELT SYSTEM MIGHT NOT BE REMOVED AUTOMATICALLY. Once the lap and shoulder portions of the seat belt are properly positioned and the buckle is attached, **FEED ANY REMAINING SLACK OF THE SEAT BELT MANUALLY BACK INTO THE RETRACTOR TO TIGHTEN THE WHOLE SYSTEM.**

1. Identify the Isofix connectors located at the rear of the seat base.
2. Press the Isofix Release Buttons on each Isofix connector to release and fully extend the two Isofix connectors for installation **(34)**.
3. Place the booster seat flush against a forward-facing vehicle seat, centered between the Isofix anchors **(35)**. The vehicle seat **MUST** be equipped with a 3-point lap-and-shoulder belt.
4. Locate the Isofix connectors underneath the rear of the seat backrest. Push the Isofix connectors into the Isofix anchorage points until these lock into place with an audible "click". The two Isofix indicators will switch from red to **GREEN (36)**.
5. Push the booster seat towards the backrest of the vehicle seat until it is fully aligned with the vehicle backrest.
6. Place child in the booster seat with child's back flat against the back of the booster seat.
7. Adjust headrest height so that the shoulder belt is **EVEN WITH OR JUST ABOVE** the top of the child's shoulders (see "Headrest height adjustment").
8. Thread shoulder belt portion of the 3-point lap-and-shoulder belt system through the shoulder belt guide **(37)** and ensure that shoulder belt lies across child's shoulder and chest, and **NOT** across child's face or neck.
9. **Thread both sides of the lap belt over lower guides on both sides as indicated (37). ENSURE that the belt is snug across the child's hips. It is important to ensure that the lap strap is worn low down, so that the pelvis is firmly engaged, just touching their thighs and is NOT across their stomach.**
10. Buckle the vehicle seat belt into place and ensure it is secure by gently pulling on it.



- ! Any straps holding the restraint to the vehicle should be tight, any straps restraining the child should be adjusted to the child's body, and all straps should not be twisted.
- ! Teach your child that seat belts are not toys and should **NEVER** be played with, regardless of whether the car is in motion or not.
- ! **ALWAYS** be aware of what your children are doing in the back seat.

REMOVING/INSTALLING FABRIC SEAT COVER

Headrest:

- Gently slide the fabric cover downwards off the top of the headrest.
- Unhook the elastic loops from each headrest shoulder belt guide opening on the bottom of the headrest **(38)**.

Backrest:

- ENSURE** harness system is unfastened and crotch pad is removed (see "Removing/installing harness").
- Undo the snaps (x2) found behind the backrest **(39)** and gently slide the fabric cover off the backrest. **ENSURE** that the gaps of the cover do not get caught on the plastic parts of the seat.

Base:

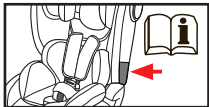
- Unhook the elastic loops from each Isofix connector behind the base. Gently slide the fabric cover off the base.

TO INSTALL:

To reinstall fabric covers, repeat previous steps in reverse order.

INSTRUCTION MANUAL STORAGE

We recommend that you store your instruction manual in the mesh pouch on the backrest fabric on the side of the child restraint.



WARNINGS

GENERAL WARNINGS



WARNING!

The safety of your child and the effectiveness of this child restraint depend on:

1. **Selecting a suitable location** for the child restraint in your vehicle.
2. **Properly routing the vehicle seat belt.**
3. **Properly securing both your child and the child restraint in the vehicle.** Many seat belts are **NOT** safe to use with this child restraint. If in doubt about installing this child restraint, consult the vehicle owner's manual or contact the Harmony Customer Service Department.



WARNING!

FAILURE TO PROPERLY READ, FOLLOW AND USE THESE INSTRUCTIONS AND THE CHILD RESTRAINT LABELS INCREASES THE RISK OF SERIOUS INJURY OR DEATH IN A SHARP TURN, SUDDEN STOP OR CRASH. Your child's safety depends on the proper installation and use of this child restraint. Even if this child restraint seems easy to install and use, it is **VERY IMPORTANT** to read and understand these instructions and the vehicle owner's manual.

Follow all labels on this child restraint and in these written instructions. **DO NOT INSTALL OR USE THIS CHILD RESTRAINT UNTIL YOU READ AND UNDERSTAND THE INSTRUCTIONS IN THIS MANUAL AND IN YOUR VEHICLE OWNER'S MANUAL.**

NO CHILD RESTRAINT CAN GUARANTEE PROTECTION WHEN THE VEHICLE IS SERIOUSLY IMPACTED. However, when correctly installed, a child restraint will substantially improve the chances for survival and reduce the risk of serious injury in most crashes.

Carefully follow the instructions in this manual and in your vehicle owner's manual. If there is a discrepancy between the two, the vehicle owner's manual must take precedence with regards to seat belts and/or airbags.

- ! **DO NOT** allow children to play with this child restraint.
- ! **NEVER** leave children alone in a vehicle under any circumstance.
- ! It is recommended that children are not left in their Enhanced Child Restraint System unattended.
- ! Set a good example by **ALWAYS** wearing your seat belt. Make it a firm rule that the vehicle does not move until everyone is buckled up. **MAKE NO EXCEPTIONS.**

- ! Harmony Juvenile Products advises against loaning or passing along a child restraint. **DO NOT USE A SECOND-HAND CHILD RESTRAINT** or a child restraint whose history you do not know.
- ! When disposing a child restraint system, ensure to dispose of the unit in a way others cannot reuse it (e.g. use a dark trash bag, do not sell to a thrift shop or in a garage sale, etc.).
- ! Store the child restraint in a safe place when not in use. **DO NOT** place heavy objects on top of the child restraint while in storage.
- ! **DO NOT** remove any stickers or warnings as they contain important information.

USAGE WARNINGS

WARNING!

- ! **ALWAYS** ASSIST YOUR CHILD WHEN GETTING INTO AND OUT OF THE CHILD RESTRAINT.
- ! **NEVER** LET YOUR CHILD LEAN ON THE ARMREST WHEN GETTING INTO OR EXITING THE CHILD RESTRAINT TO PREVENT THE SEAT FROM TIPPING.
- ! **ENSURE** THAT THE CHILD RESTRAINT IS LEVEL, STABLE AND DOES NOT ROCK SIDE-TO-SIDE. IF THE CHILD RESTRAINT IS NOT STABLE, TRY ANOTHER SEATING LOCATION.
- ! **DO NOT ADD ANYTHING BEHIND OR UNDER THE CHILD RESTRAINT.**



According to accident statistics, **CHILDREN ARE SAFER WHEN PROPERLY RESTRAINED IN THE REAR SEATING POSITIONS THAN IN THE FRONT SEATING POSITION. THE SAFEST POSITION BEING THE CENTER IN THE EVENT OF A POSSIBLE SIDE IMPACT COLLISION.**

- ! **DO NOT** use any load bearing contact points other than those described in the instructions and marked in the child restraint.
- ! **DO NOT** allow others to install or use this child restraint unless they read and understand all the instructions and labels.
- ! **DO NOT GIVE THIS CHILD RESTRAINT** to someone else without also giving them this instruction manual. Additional instruction manuals can be downloaded directly from www.harmonyjuvenile.com.
- ! To ensure proper child restraint use, keep and store this instruction manual and refer to it when necessary.
- ! **DO NOT LEAVE A CHILD RESTRAINT UNSECURED IN YOUR VEHICLE.** In a collision, sharp turn or sudden stop, an unsecured child restraint can injure other occupants. Remove it or make sure that it is securely attached with the vehicle seat belt and/or Isofix, even when not in use.

INJURY WARNINGS

- ! **INJURIES MAY OCCUR EVEN IF YOU ARE NOT IN A CRASH** if the child restraint is not properly installed or if your child is not properly secured in the child restraint.
- ! The rigid items and plastic parts of an Enhanced Child Restraint System shall be so located and installed that they are not liable, during everyday use of the vehicle, to become trapped by a movable seat or in a door of the vehicle.
- ! **DO NOT** leave folding vehicle seats unlatched. In the event of a sharp turn, sudden stop or crash, a loose seat back could prevent the child restraint from protecting the child as well as it should.
- ! It is recommended that any luggage or other (loose) objects liable to cause injuries in the event of a collision shall be properly secured. In the event of a sharp turn, sudden stop or crash, loose objects will keep moving, potentially causing serious injuries.
- ! The Enhanced Child Restraint System shall not be used without the cover. It **MUST** always be used with the fabric cover provided by the manufacturer.
- ! The Enhanced Child Restraint System cover should not be replaced with any other than the one recommended by the manufacturer, because the cover constitutes an integral part of the restraint performance.
- ! **PARTS OF THE CHILD RESTRAINT COULD BECOME HOT ENOUGH TO BURN THE CHILD IF LEFT IN THE SUN.** Contact with these parts can injure your child. **ALWAYS** touch the surface of any metal or plastic parts before putting your child in the child restraint. Cover the child restraint with a towel or blanket when the vehicle is parked in direct sunlight. **KEEP AWAY FROM SUNLIGHT, OTHERWISE IT MAY BE TOO HOT FOR THE CHILD'S SKIN.**

VEHICLE WARNINGS

- ! **DO NOT** use this child restraint if it can't be properly installed. It is possible that your vehicle has no suitable seating position for this child restraint due to seat belt type, airbag system and/or lack of location of a tether strap anchor. Read and follow these instructions, and your vehicle owner's manual carefully.

AIRBAG WARNINGS

- ! **NEVER PLACE THIS CHILD RESTRAINT IN A VEHICLE SEATING LOCATION THAT HAS AN ACTIVE FRONTAL AIRBAG.** An inflating airbag may cause serious injury or death. Refer to your vehicle owner's manual for information about airbags and child restraint installation.

This child restraint may be used in a rear seating position equipped with side impact airbags providing they are:

- Roof mounted;
- "Curtain" type deployment;
- Will **NOT** interfere with, impact or in any way reposition the child restraint when inflated.

! If a vehicle's front seat location must be used, **ALWAYS** disable the airbag. Failure to disable the airbag system can result in serious injury or death. Follow the vehicle owner's manual for instructions on disabling the front airbag system.

Please refer to your vehicle owner's manual for airbag type, and for appropriate use with child restraints.

DAMAGE WARNINGS

! It is recommended that the device should be changed when it has been subject to violent stresses in an accident.

! **DO NOT USE A CHILD RESTRAINT THAT HAS BEEN IN AN ACCIDENT OF ANY KIND.** An accident can cause damage to the child restraint that you cannot see.

! **DO NOT** use this child restraint if it is damaged in any way or has missing parts.

! **NEVER** use a cut, frayed or damaged vehicle seat belt or harness.

! **DO NOT** tamper with or modify the child restraint, for any reason. Any unauthorised alterations or additions to the device without the approval of the Type Approval Authority can cause serious injury or death in a sharp turn, sudden stop, or crash.

! **DO NOT** use anything to raise the child restraint off the vehicle seat. Untested modifications, such as adding extra padding, could affect the safety of the child restraint and result in serious injury or death in a crash.

! **DO NOT, EXCEPT AS DESCRIBED IN THESE INSTRUCTIONS, MODIFY YOUR CHILD RESTRAINT, DISASSEMBLE ANY PART OR CHANGE THE WAY THE VEHICLE SEAT BELTS ARE USED.** This includes any accessories or parts by other manufacturers as non-tested accessories can affect the safety of the child restraint.

AIRCRAFT INSTALLATION

This child restraint is **NOT CERTIFIED** for aircraft use. Aircraft seats are not equipped with 3-point lap-and-shoulder belts which are required for use with this child restraint.

CARE AND MAINTENANCE

CLEANING YOUR SEAT COVER:

- **MACHINE WASH SEPARATELY** using cold water - delicate cycle.
- **DO NOT BLEACH.**
- **DRIP DRY** to prevent cover from shrinking.

! **DO NOT** wash EPE foam pad insert under seat cover.

CLEANING THE PLASTIC SHELL:

- **SPONGE CLEAN** using warm water and mild soap.
- **TOWEL DRY.**
- **DO NOT** use solvents, abrasive cleaners, or disassemble child restraint in any way, except as instructed.

CLEANING HARNESS AND TOP TETHER STRAPS:

- Spot clean with a damp cloth. **DO NOT BLEACH. DO NOT** immerse the straps in water. Doing so may weaken the straps.

CLEANING METAL, PLASTIC HARNESS, AND ISOFIX PARTS:

- Use mild soap and cool water on a damp cloth.

! **NEVER** lubricate the buckle. If buckle or harness adjuster sticks or will not remain tight, check for foreign objects such as food, dirt, etc. Remove objects with tweezers and/or clean with a cotton swab. If you cannot get the harness to remain tight with the buckle securely locked, **DO NOT USE** this child restraint. Contact Harmony Juvenile Products to purchase a replacement harness or buckle.

WARRANTY

This child restraint was manufactured by Harmony® Juvenile Products (HJP). HJP warrants this product to the original retail purchaser as follows:

LIMITED 2-YEAR WARRANTY

The following warranty conditions only apply to the country in which this product was first sold through retail channels to a consumer.

This child restraint is warranted against defective materials and workmanship for **TWO (2)** years from the date of original purchase. *An original receipt is required to validate your warranty.* HJP will, at its option, provide replacement parts for this product or replace this product. HJP reserves the right to discontinue or change fabrics, parts, models or products, or to make substitutions.

To make a claim under this warranty, you must contact HJP Customer Service at **www.harmonyjuvenile.com** or write to 10 Beach Priory Gdns., Southport, UK, PR8 1RT.

Proof of purchase is required and shipping charges are the responsibility of the consumer.

WARRANTY LIMITATIONS

This warranty does not include:

1. Damages which arise from negligence, misuse, or use not in accordance with this instruction manual.
2. Damage and wear arising from excessive stress.
3. Replacement of fabric as a result of natural wear or fading of the fabric as a result of exposure to the sun or UV radiation.

The use of non-Harmony branded covers, inserts, toys, accessories or tightening devices is not approved by HJP. Their use could cause this child restraint to fail federal safety standards or perform worse in a crash. Their use automatically voids the HJP warranty.

LIMITATIONS OF DAMAGES

The warranty and remedies as set forth above are exclusive and in lieu of all others, oral or written, expressed or implied. In no event will HJP or the retailer selling this product be liable to you for any damages, including incidental or consequential damages, or loss of use arising out of the use or inability to use this product.

PLEASE REGISTER THIS CHILD RESTRAINT WITHIN 30 DAYS OF PURCHASE TO EXPEDITE WARRANTY CLAIMS AND TO VERIFY ORIGINAL DATE OF PURCHASE.